

NEW PRODUCT ANNOUNCEMENT:

TASKLIGHT 600

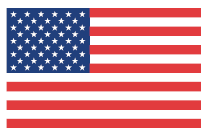


- Built in dimmer
- Built in on/off switch
- For 14v and 28v systems
- High Quality CNC Machined

The New TaskLight 6 series is available either with all 6 LEDs of your color choice operating simultaneously, or three White LEDs and three LEDs of your color choice operating independently of the other color. The TaskLight 600 series has an intensity knob and on/off switch built in and operates with input voltages ranging from 10v to 30 volts.

- Built in dimmer and on/off switch
- Compatible with 14v and 28v systems
- Housing components are precision CNC machined from solid 6061-T6 and Black MIL spec Anodized
- Dual Color Models: RED/WHITE, BLUE/WHITE, GREEN/WHITE
- Single Colors Models: RED, WHITE, BLUE, GREEN

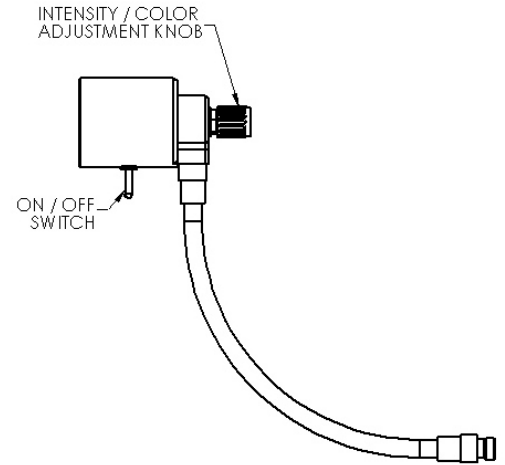
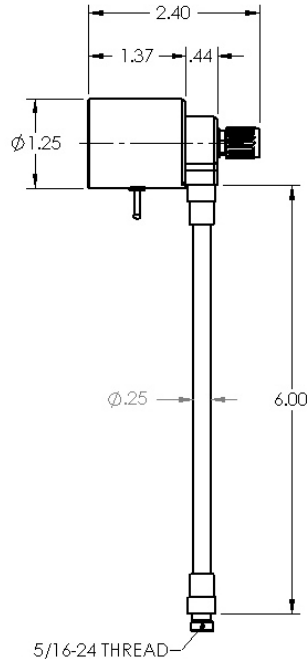
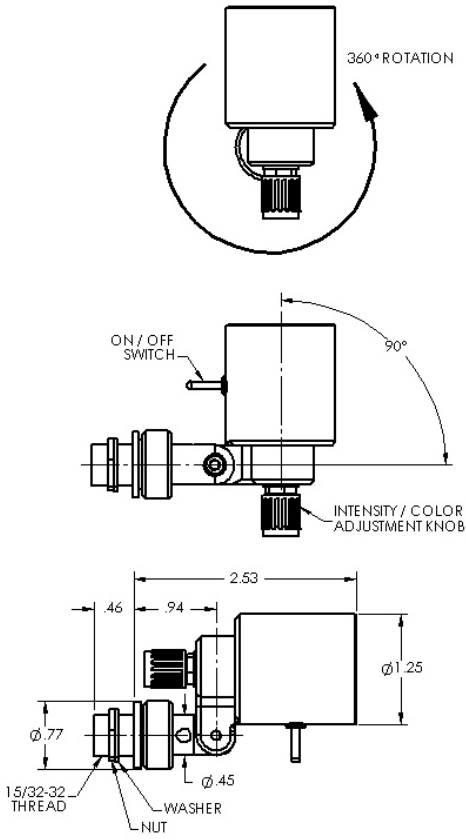
Oplite Technologies is a division of Machine Incorporated, a highly reliable CNC machining company—dependable in both product and customer service. www.machineinc.com



MADE IN THE USA

TaskLight 600

TaskLight 600 Gooseneck



MADE IN THE USA



oplite.com

781.297.3700

info@oplite.com

879 Turnpike Street, Stoughton, MA 02072 USA